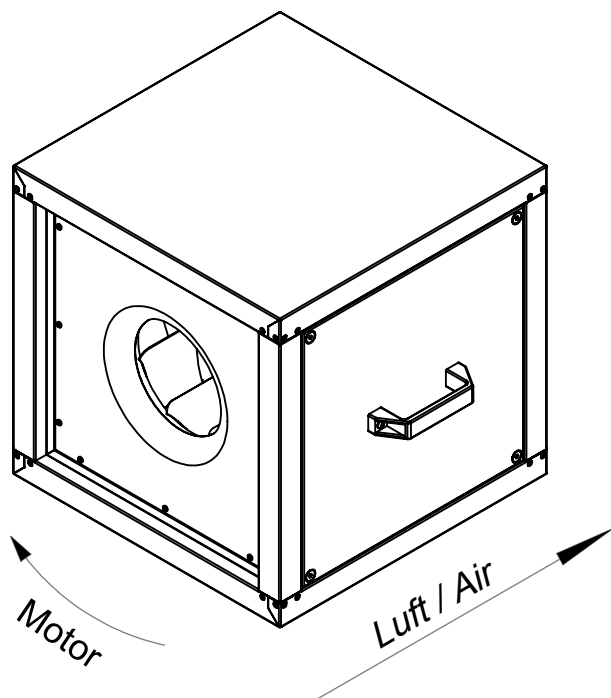
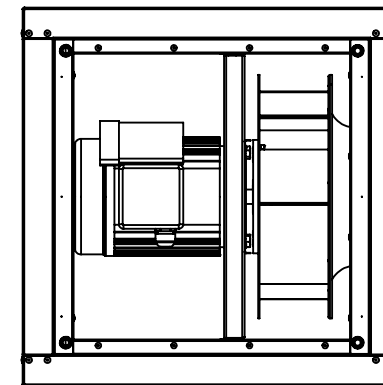


Anschlussmaß innen
min. \varnothing 240
Connection size inside
min. \varnothing 240



KUVENT



1:10 A4 mm

Protection Mark
according to ISO16016

General tolerances
DIN ISO 2768-c

KB 280-12

Ventilair Group Belgium
Pieter Verhaeghestraat 8
8520 Kuurne

Drawn:
Created:
Changed:

12.09.17
19.11.17